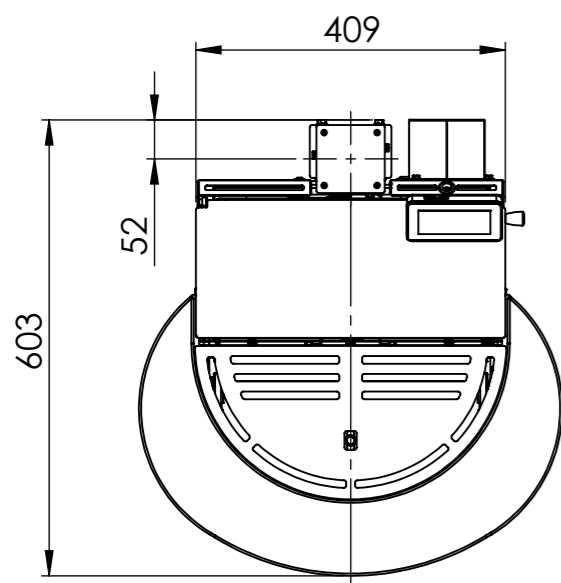
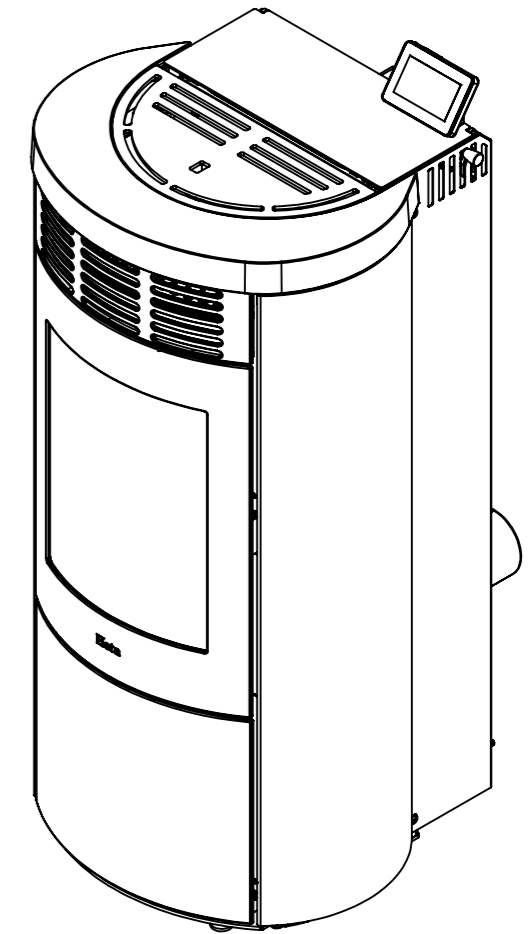
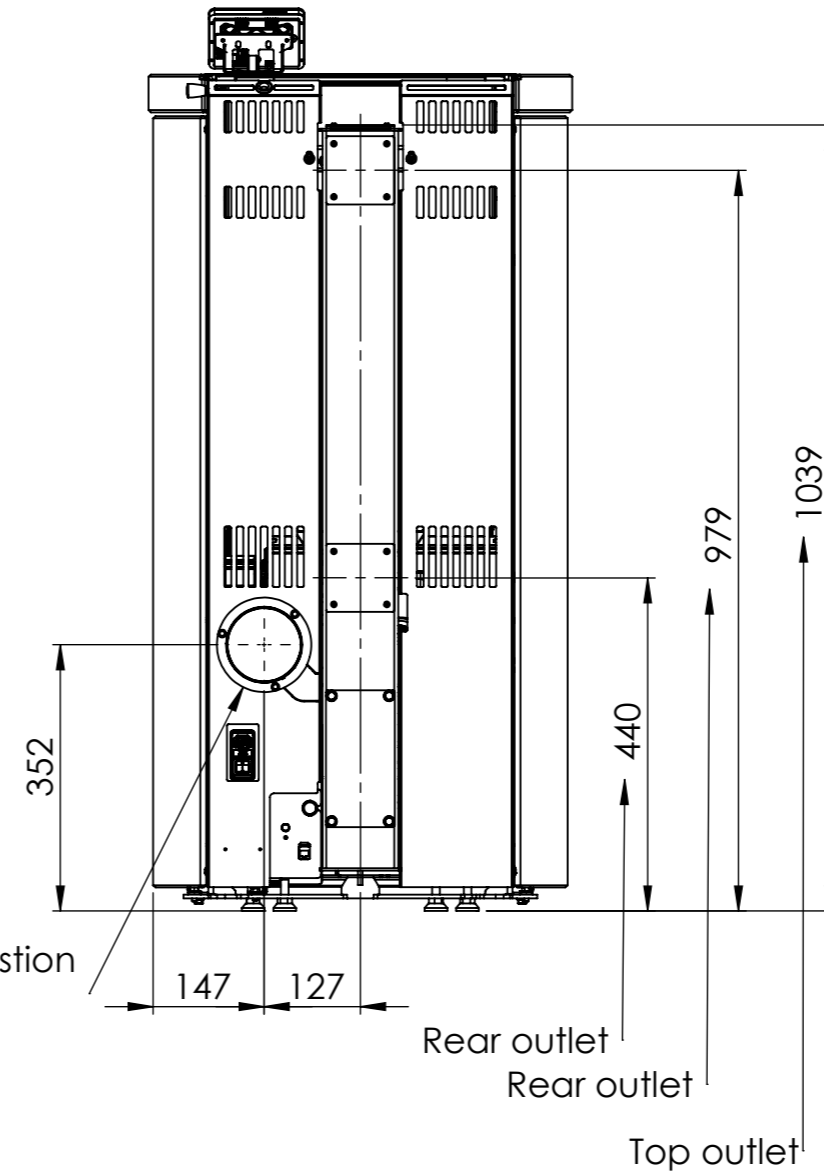
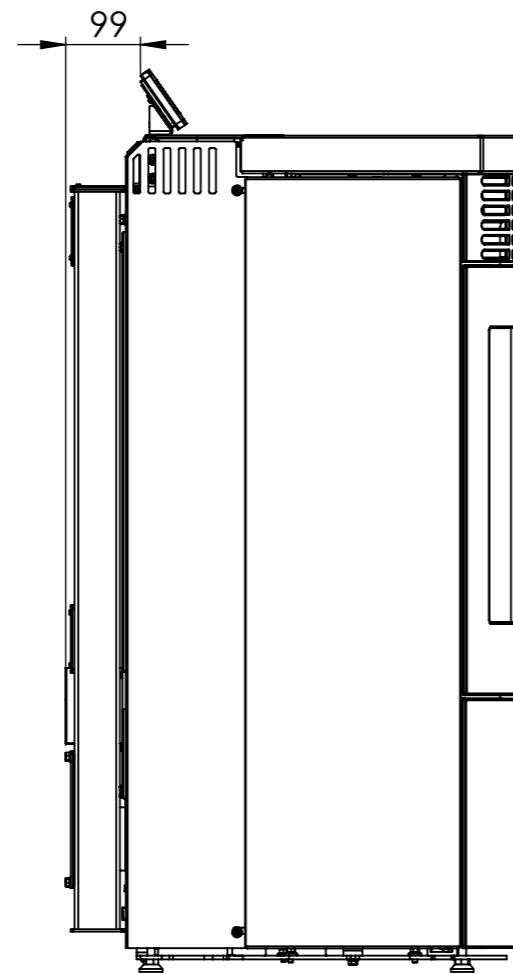
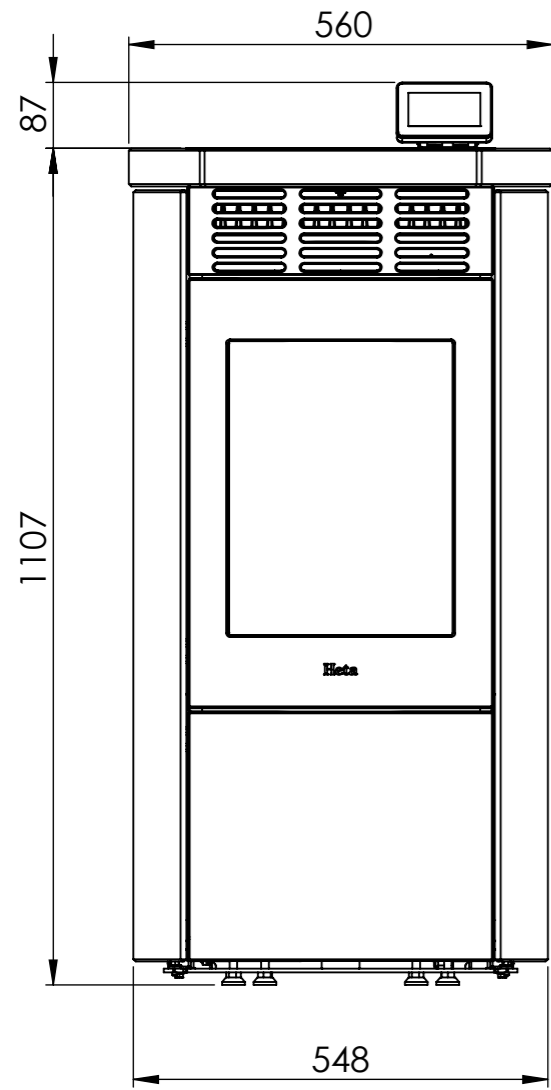




Serie	Scan-Line Green 250
Description	Green 250 Stone



External fresh air kit
 Ø 100 Item No. 6000-024610
 Ø 80 Item No. 6000-026126
 (Not included)

